

Katalog náhradních dílů pro
přímočaré řezačky

GARUDAN[®]

KS-66, 86, 106 serie



ANITA B, s.r.o.

Průmyslová 2453/7

680 01 Boskovice

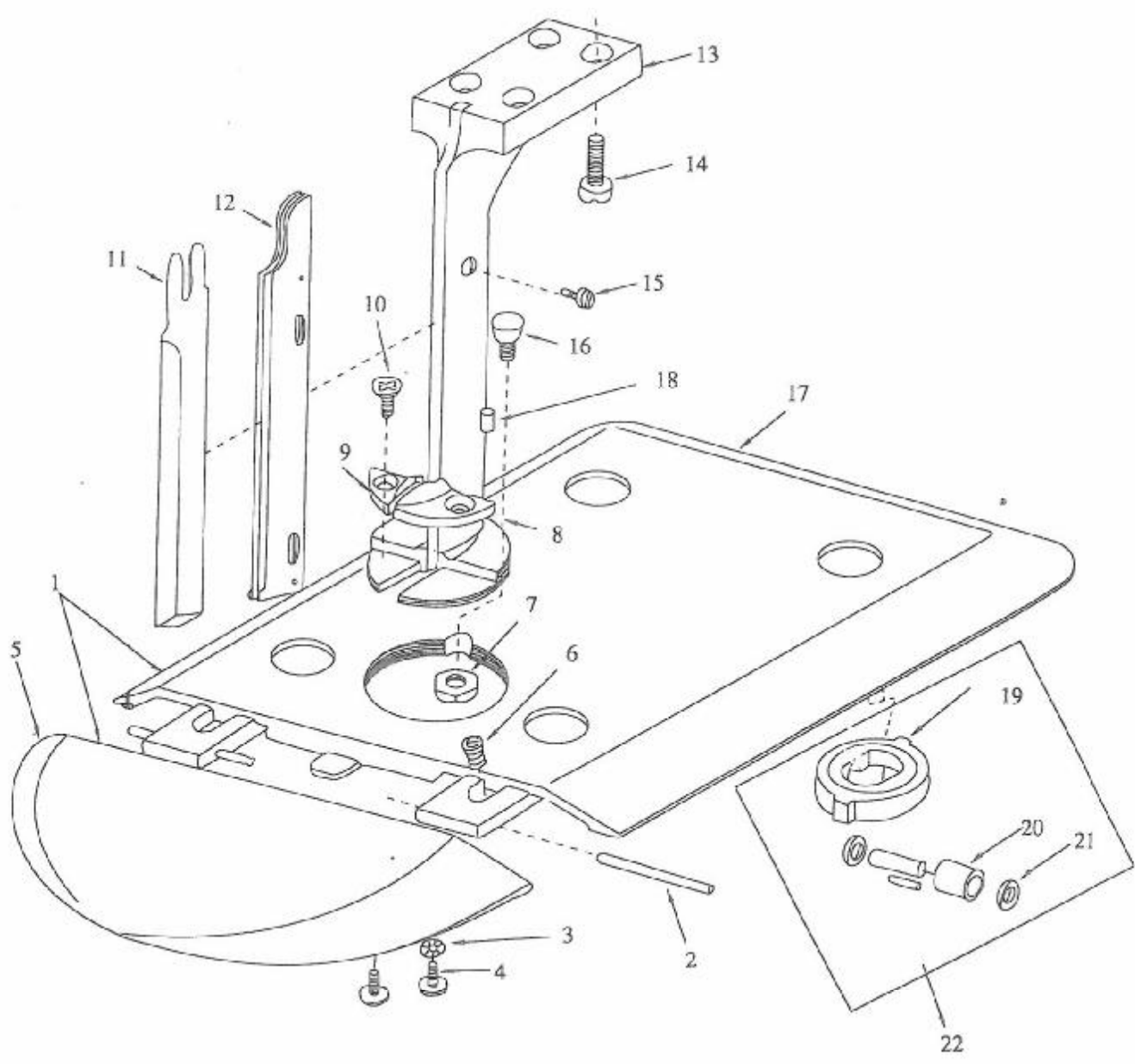
Czech Republic

tel: +420 515553628

fax: +420 516452751

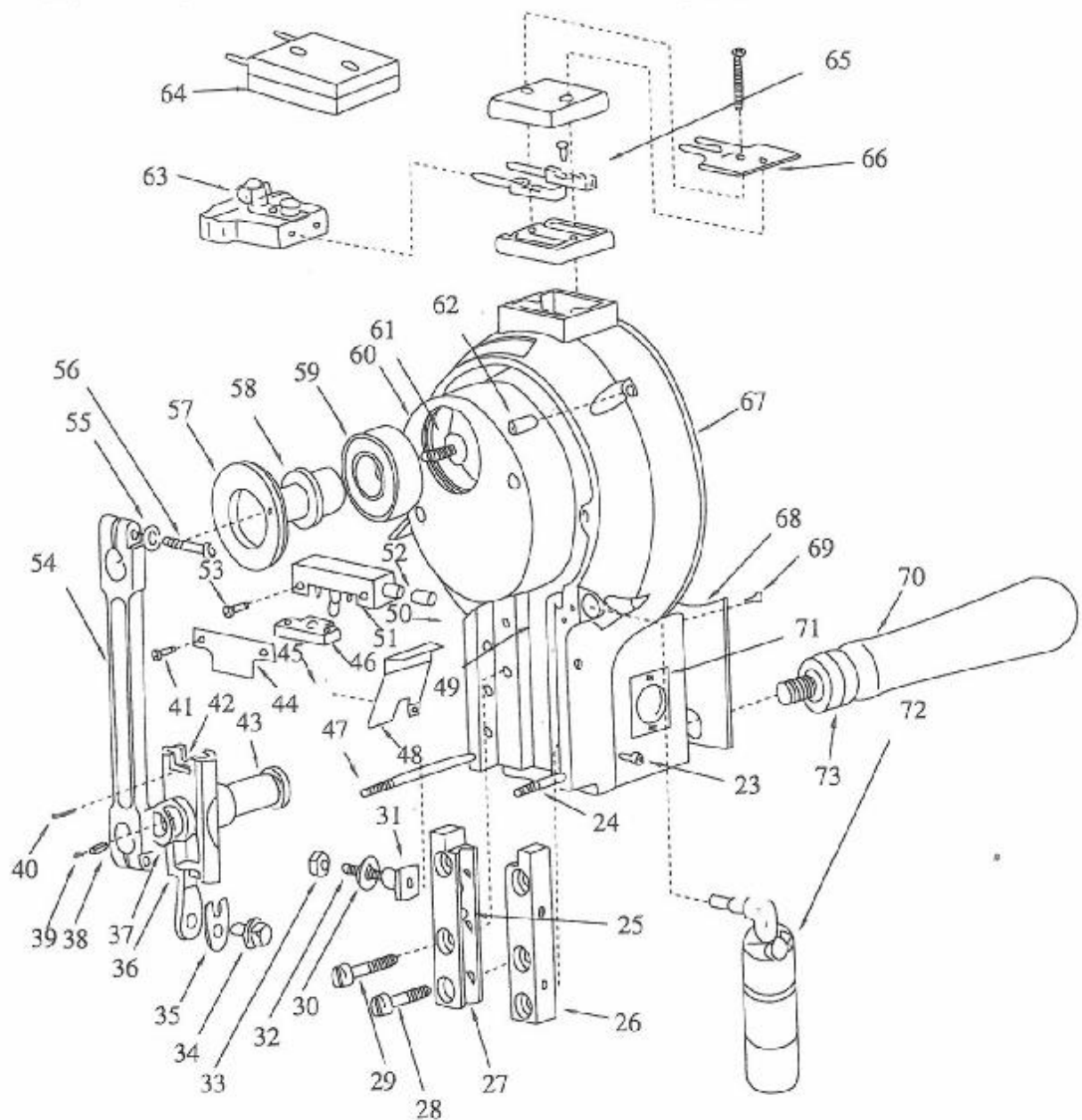
e-mail: info@anita.cz

1. 底盘刀库部分 STANDARD & BASE PLATES 代号(KA)



| 代 号 | 名 称 | Desonription | 数 量 | 备 注 |
|-----------|------------|-------------------------------|-----|--------|
| Code Name | | | Qt | Note |
| KA 1 | 底板全套 | Complete plate | 1 | M078 |
| KA 2 | 芯 轴 | Hinge Pin Short | 2 | M081 |
| KA 3 | 外齿锁紧垫圈 4 | Clamp Washer 4 | 4 | M089 |
| KA 4 | 底盘螺钉 | Hinge Pin Clamp Screw | 4 | M082 |
| KA 5 | 盘 翼 | Plate Wing | 1 | M077S |
| KA 6 | 弹 簧 | Plate Wing Tension Spring | 2 | M091 |
| KA 7 | 六角螺母 | Plate Nut | 1 | M090 |
| KA 8 | 右刀库舌 | Right Throat Plate | 1 | } M088 |
| KA 9 | 右刀库舌 | Lift Throat Plate | 1 | |
| KA 10 | 螺钉M 4 × 10 | Screw M4×10 | 2 | M087 |
| KA 11 | 刀 片 | Knife | 3 | M191 |
| KA 12 | 衬片组合 | Knife Side | 1 | M086 |
| KA 13 | 刀 库 | Standard | 1 | M085 |
| KA 14 | 螺钉M6×20 | Screw M6×20 | 4 | M084 |
| KA 15 | 螺钉M3×5 | Screw M3×5 | 3 | M084 |
| KA 16 | 销 | Spin | 1 | M090 |
| KA 17 | 底 盘 | Plate | 1 | M077L |
| KA 18 | 销 4×10 | Spin 4×10 | 2 | |
| KA 19 | 滚子架组合 | Roller Rack Assy(Rwbber) | 4 | M080R |
| | 滚钉 5×19.8 | Round Head Rolling Pin 5×19.8 | 4 | |
| KA 20 | 滚 子 | Roller | 4 | M080C |
| KA 21 | 垫 圈 5 | Washer 5 | 8 | |
| KA 22 | 全套滚轮 | Rubber Mounted Roler Complete | 4 | M080 |
| | | | | |
| | | | | |
| | | | | |
| | | | | |
| | | | | |
| | | | | |
| | | | | |

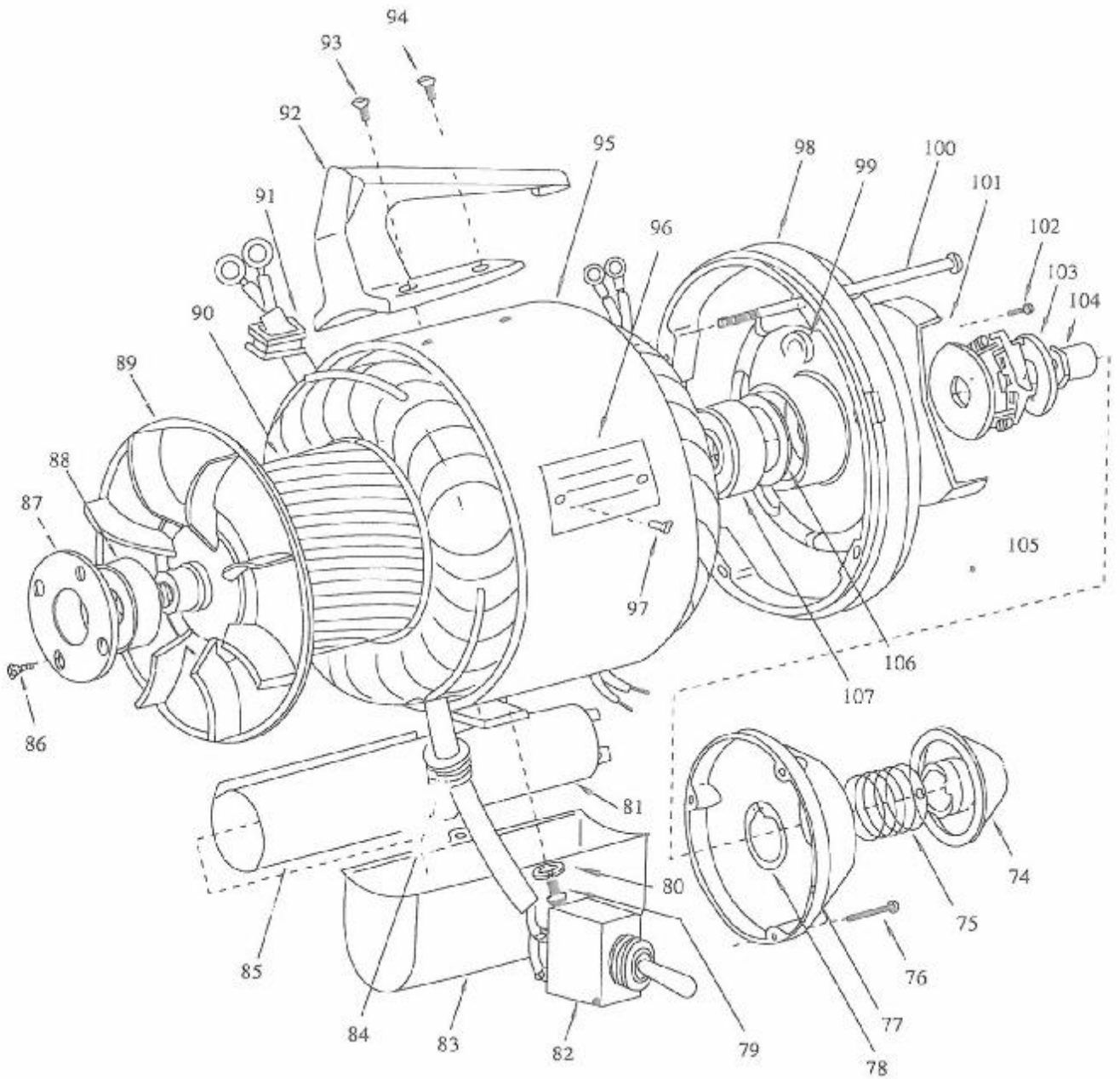
2. 前端盖部分 FRONT COVER MECHANISM 代号 (KA)



| 代号 | 名称 | Description | 数量 | 备注 |
|-----------|----------|--------------------|----|------|
| Code Name | | | qt | Note |
| KA 23 | 螺钉M4×8 | Screw M4×8 | 2 | |
| KA 24 | 短双头螺栓 | Short Stud | 1 | M062 |
| KA 25 | 滑轨油毡 | Guide Felt | 2 | |
| KA 26 | 右侧滑轨 | R.H.Guide | 1 | M048 |
| KA 27 | 左侧滑轨 | L.H.Guide | 1 | M049 |
| KA 28 | 螺钉 | Screw | 3 | M047 |
| KA 29 | 螺钉 | Screw | 3 | M047 |
| KA 30 | 垫圈 | Washer | 3 | M043 |
| KA 31 | 方头调节螺母 | Guid Adjusting Nut | 3 | M046 |
| KA 32 | 螺钉 M5×20 | Screw M5×20 | 3 | M045 |

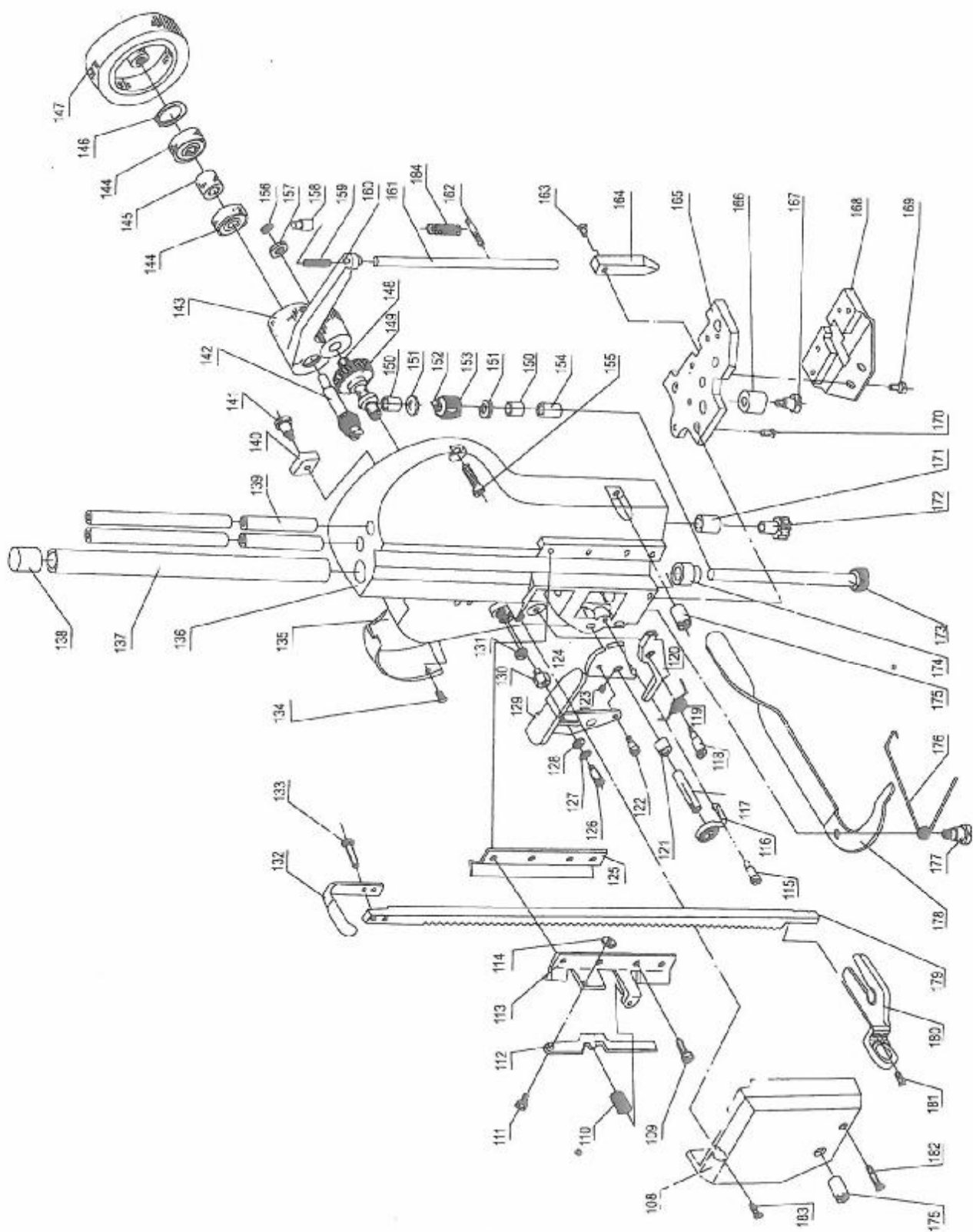
| 代 号 | 名 称 | Desonription | 数 量 | 备 注 |
|-----------|------------|---------------------------|-----|--------------|
| Code Name | | | qt | Note |
| KA 33 | 螺母 M5 | Nut M5 | 3 | M042 |
| KA 34 | 方头螺钉 | Square Screw | 1 | M051 |
| KA 35 | 方头螺钉垫 | Knife Lock Washer | 1 | M041 |
| KA 36 | 滑 枕 | Cross Head | 1 | M050 |
| KA 37 | 垫 片 | Connecting Rod Washer | 1 | M044 |
| KA 38 | 油 毡 | Oil Felt | 1 | |
| KA 39 | 油 堵 | Wrist Pin Plug | 1 | M040 |
| KA 40 | 铆钉 1.6×9 | Rivets 1.6×9 | 2 | |
| KA 41 | 螺钉M2.5×4 | Screw M2.5×4 | 2 | M211 |
| KA 42 | 油 毡 | Oil Felt | 1 | |
| KA 43 | 滑枕轴 | Wrist Pin | 1 | M039 |
| KA 44 | 防油板 | Oil Plate | 1 | M210 |
| KA 45 | 螺钉M3×3 | Screw M 3×3 | 2 | M213 |
| KA 46 | 油 毡 | Oil Felt | 1 | |
| KA 47 | 双头螺栓 | Stud | 1 | M060 M061 |
| KA 48 | 防油板 | Oil Guard | 1 | M212 |
| KA 49 | 螺钉M 4×4 | Screw M4×4 | 1 | M054 |
| KA 50 | 空心棉丝绳3×150 | Oil Felt 3×150 | 1 | M033 |
| KA 51 | 导油管座 | Oil Pad Holder | 1 | M032 |
| KA 52 | 导油管套 | Oil Tude | 1 | M209 |
| KA 53 | 螺钉 M3×16 | Screw M3×16 | 2 | |
| KA 54 | 连 杆 | Connecting Rod | 1 | M026 |
| KA 55 | 垫 圈4 | Washer 4 | 2 | M037 |
| KA 56 | 螺钉M4×16 | Screw M4×16 | 2 | M038 |
| KA 57 | 轴承盖 | Bearint Cover | 1 | M029 |
| KA 58 | 轴承轴 | Bearing Shaft | 1 | M030+031 |
| KA 59 | 轴承80201D | Bearing 80201D | 1 | M064 |
| KA 60 | 曲 柄 | Crank | 1 | M027 |
| KA 61 | 轴承轴螺钉 | Screw for Brg Shaft | 1 | |
| KA 62 | 螺 母 | Front to Rear Bearing Nut | 4 | M057 |
| KA 63 | 插头组合 | Attachment Plug | 1 | M069 |
| KA 64 | 插头组合 | Termial Block | 1 | M070 |
| KA 65 | 插头蕊 | Terminal sleeve | 2 | M071+072 |
| KA 66 | 插座联接板 | Ground Clip | 1 | M066 |
| KA 67 | 前端盖 | Frount bearing Housing | 1 | M055 |
| KA 68 | 后盖板 | Switch Cover | 1 | M215 |
| KA 69 | 螺钉M3×5 | Screw M3×5 | 4 | M075 |
| KA 70 | 手 柄 | Operating Handle | 1 | M073 |
| KA 71 | 开关牌 | Switch Plate | 1 | |
| KA 72 | 油 杯 | Oil Cup | 1 | M034+035 |
| KA 73 | 锁紧螺母 | Clutch Nut | 1 | M074 |

3. 电机部分 MOTOR & HOUSTNG MECHANISM 代号(KA)



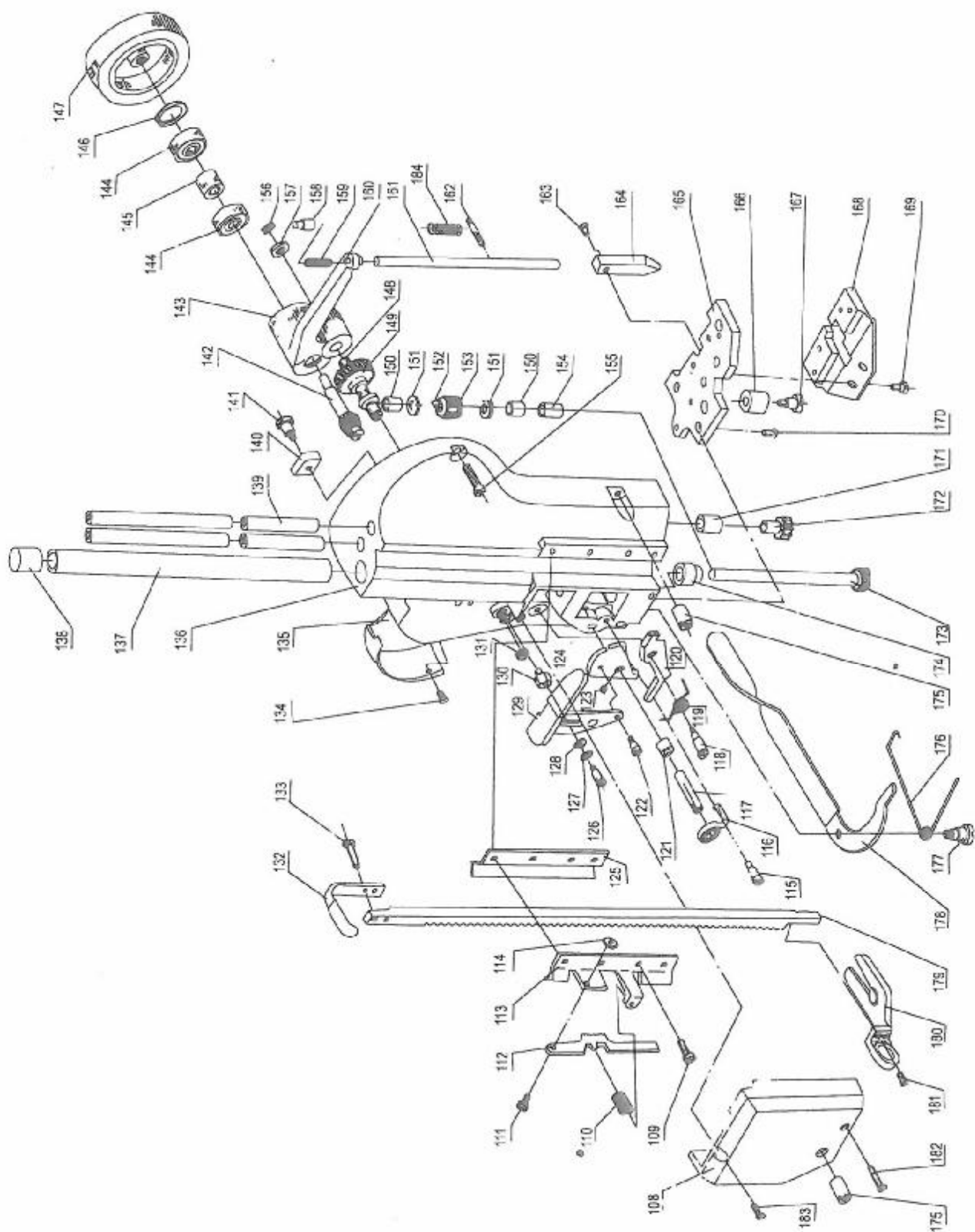
| 代 号 | 名 称 | Description | 数 量 | 备 注 |
|-----------|----------------|--------------------------|-----|----------|
| Code Name | | | qt | Note |
| KA 74 | 手 轮 | Turning Knob | 1 | M009 |
| KA 75 | 离合器弹簧 | Clutch Spring | 1 | M021 |
| KA 76 | 螺钉M 3×16 | Screw M3 ×16 | 4 | M006 |
| KA 77 | 防尘盖 | Dusr Cap | 1 | M008 |
| KA 78 | 轴用弹性挡圈 | Retaining Ring | 1 | M022 |
| KA 79 | 螺钉M4×6 | Serew M4×6 | 2 | M205 |
| KA 80 | 垫 圈 4 | Washer 4 | 2 | |
| KA 81 | 电容器具100μF | Capacitor 100μF | 1 | M206 |
| KA 82 | 扭子开关 | Switch | 1 | M020 |
| KA 83 | 电容器盒 | Capacitor Cover | 1 | M204+205 |
| KA 84 | 电线护套 | Wire Sleeve | 1 | |
| KA 85 | 电容器垫2.5×60×100 | Wool Fabric | 1 | |
| KA 86 | 螺钉M3×10 | Screw M3×10 | 1 | |
| KA 87 | 前轴承盖 | Front Bearing Cover | 4 | M065 |
| KA 88 | 轴承80202D | Bearing 80202D | 1 | M023 |
| KA 89 | 风 扇 | Fan | 1 | M003 |
| KA 90 | 转 子 | Rotor With Shaft | 1 | M004 |
| KA 91 | 电线护套 | Wire Sleeve | 1 | * |
| KA 92 | 提 手 | Carrying Handle | 1 | M203 |
| KA 93 | 螺钉M4×18 | Screw M4×18 | 2 | |
| KA 94 | 螺钉M4×16 | Screw M4×16 | 2 | |
| KA 95 | 定 子 | Capacitor Stator | 1 | M001 |
| KA 96 | 铭 牌 | Skin Cover | 1 | |
| KA 97 | 螺钉M2.5×4 | Screw M2.5×4 | 2 | M002 |
| KA 98 | 后端盖 | Rear Bearing Housing | 1 | M007 |
| KA 99 | 电线护套 | Wire Sleeve | 1 | M005 |
| KA 100 | 长螺钉 | Long Screw | 2 | M013+014 |
| KA 101 | 绝缘盖 | Insulate Cover | 2 | M200 |
| KA 102 | 螺钉M4×10 | Screw M4×10 | 2 | |
| KA 103 | 离合器螺母 | Clutch Nut | 1 | M025 |
| KA 104 | 锁紧螺母 | Shaft Lock Nut | 1 | M026 |
| KA 105 | 离心开关 | Automatic Cut-out Switch | 1 | M201+202 |
| KA 106 | 波形弹簧片 | Washer With Vave | 1 | M024 |
| KA 107 | 轴承80201D | Bearing 80201D | 1 | M023/028 |

4. 前盖磨削部分 SHARPENER HOUSING MECHANISM 代号 (KA)



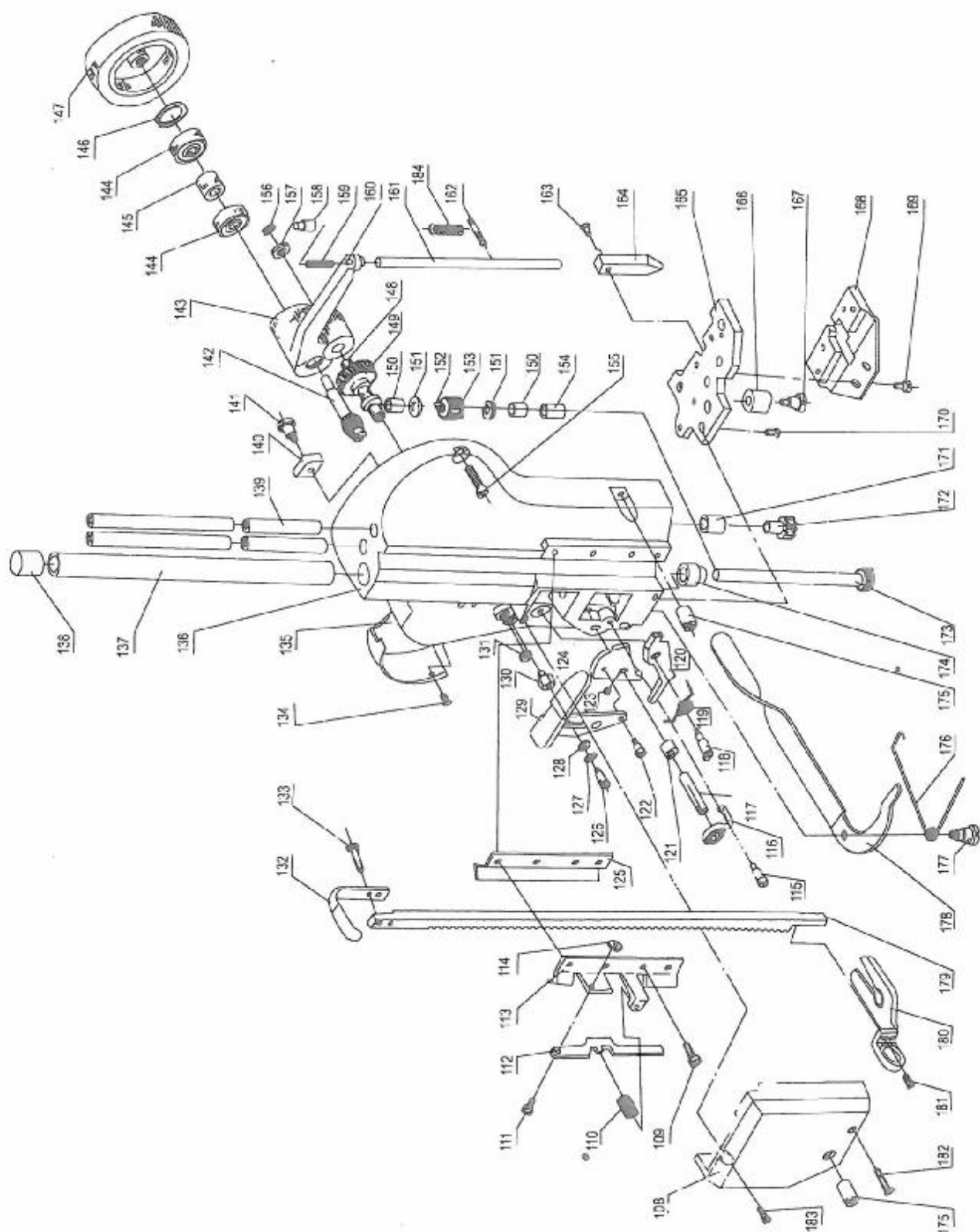
| 代 号 | 名 称 | Desonription | 数 量 | 备 注 |
|-----------|----------|---------------------------|-----|--------|
| Code Name | | | qt | Note |
| KA 108 | 凸轮罩盖 | Cam Cover | 1 | M101 |
| KA 109 | 螺钉M 4×10 | Screw M4×10 | 4 | M099 |
| KA 110 | 压紧弹簧 | Spring | 1 | M109 |
| KA 111 | 齿板轴 | Shaft for Great Plate | 1 | M121 |
| KA 112 | 齿 板 | Gear Plate | 1 | M120 |
| KA 113 | 压脚导板 | Slide for Pressure Foot | 1 | M122 |
| KA 114 | 螺母M 4 | Nut M4 | 1 | |
| KA 115 | 弹簧螺钉 | Screw for Spring | 1 | M098 |
| KA 116 | 凸轮弹簧 | Spring for Cam | 1 | M111 |
| KA 117 | 凸轮轴 | Shaft for Cam | 1 | M097 |
| KA 118 | 变向柄螺轴 | Screw Shaft for Latch | 1 | M096 |
| KA 119 | 变向弹簧 | Spring for Cam | 1 | M110 |
| KA 120 | 变向柄 | Latch for Cam | 1 | M124 |
| KA 121 | 凸轮轴套 | Bearing for Cam Shaft | 2 | |
| KA 122 | 凸轮螺钉 | Screw for Cam | 1 | M118S |
| KA 123 | 螺钉M4X6 | Screw M4×6 | 1 | M117 |
| KA 124 | 变向凸轮 | Cam | 1 | M118C |
| KA 125 | 压脚下导板 | Lower Slider for P.F Rod | 1 | M123 |
| KA 126 | 手柄螺钉 | Screw Shaft for Latch | 1 | } M119 |
| KA 127 | 弹簧垫圈 | Spring Washer | 1 | |
| KA 128 | 垫 圈5 | Washer5 | 1 | |
| KA 129 | 磨刀手柄组合 | Sharpening Lever | 1 | M218 |
| KA 130 | 六角头螺钉 | Hexagon-headed Screw | 1 | |
| KA 131 | 六角螺母 | Hexagon-headed Screw | 1 | M152 |
| KA 132 | 压角杆提手 | Pressure Foot Lift | 1 | M230 |
| KA 133 | 螺钉 M3×5 | Screw M3×5 | 2 | |
| KA 134 | 螺钉 M3×6 | Screw M3×6 | 2 | M133 |
| KA 135 | 传动轮盖 | Cover for Driving Pullddy | 1 | M134 |
| KA 136 | 磨削器外罩 | Sharpencer Housing | 1 | M127 |
| KA 137 | 传动管 | Tube for Driving | 1 | M093 |

4. 前盖磨削部分 SHARPENER HOUSING MECHANISM 代号 (KA)



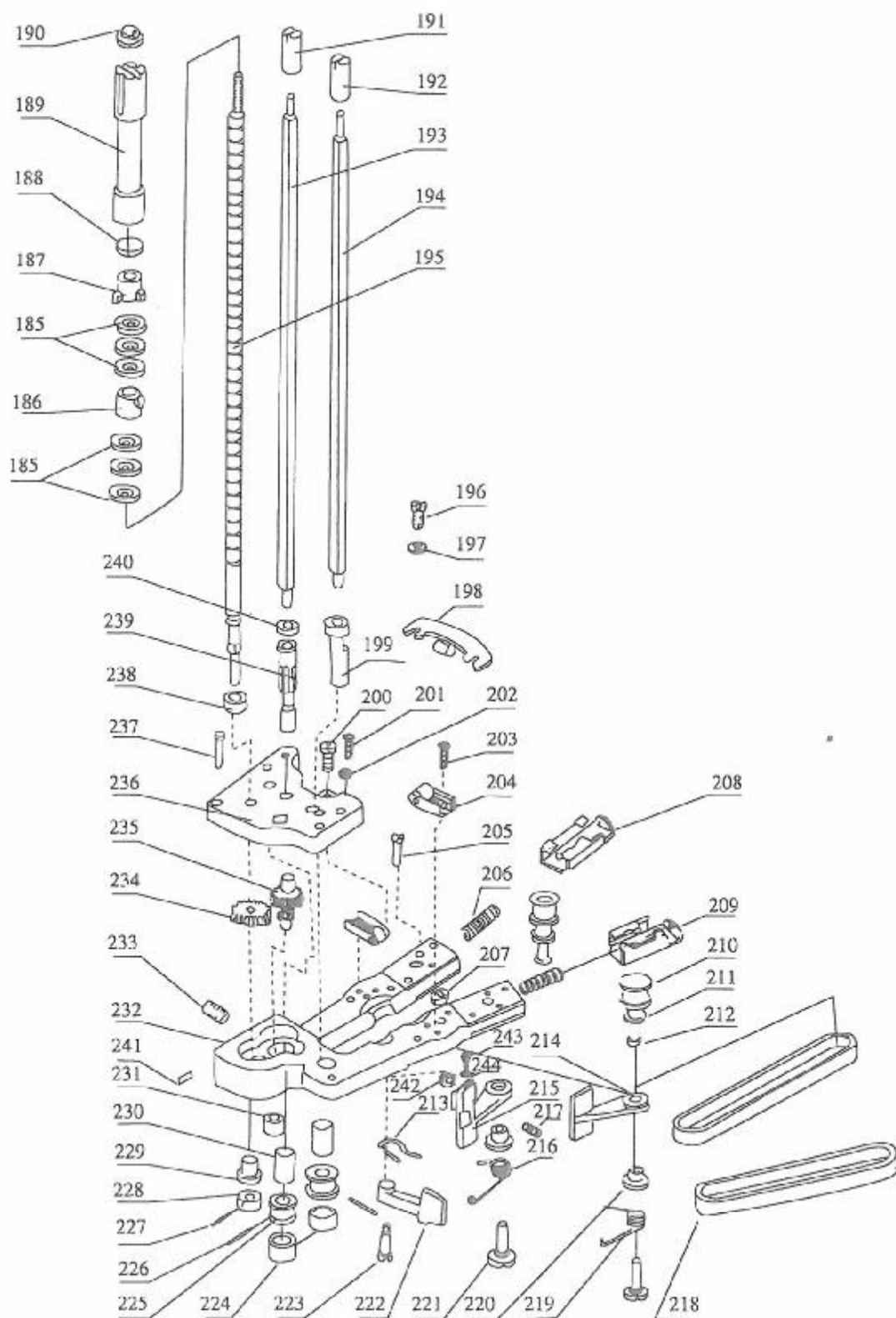
| 代 号 | 名 称 | Description | 数 量 | 备 注 |
|-----------|----------|-------------------------------|-----|----------------------------------|
| Code Name | | | qt | Note |
| KA 138 | 导向管帽 | Cap for Tube | 1 | M092 |
| KA 139 | 方轴导向管 | Tube for Square Shaft | 2 | M094 |
| KA 140 | 油 垫 | Felt Pad for Cross Head | 1 | M232 |
| KA 141 | 螺 轴 | Screw Shaft | 1 | M233 |
| KA 142 | 齿轮轴 | Gear & Shaft | 1 | M144 |
| KA 143 | 曲 拐 | Bell Crank With Pin & Bushing | 1 | M132 |
| KA 144 | 轴承80018D | Bearing 80018D | 2 | M149 |
| KA 145 | 轴承垫 | Washer for Bearing | 1 | |
| KA 146 | 挡 圈22 | Lock Ring 22 | 1 | M155 |
| KA 147 | 传动轮 | Driving Pulley | 1 | M146 |
| KA 148 | 传动斜齿轮轴 | Shaft for Crank | 1 | M153 |
| KA 149 | 传动斜齿轮 | Idler Gear With Bushing | 1 | M156 |
| KA 150 | 长轴齿轮上套 | Bearing for drive Shaft | 2 | M151 |
| KA 151 | 垫 | Thrust Washer | 2 | |
| KA 152 | 键 | Key | 1 | } M157 |
| KA 153 | 键槽斜齿轮 | Spiral Gear | 1 | |
| KA 154 | 长轴齿轮下套 | Bearing for Drive Shaft | 1 | |
| KA 155 | 螺钉M5×14 | Screw M 5×14 | 2 | M100S/L |
| KA 156 | 挡 圈 6 | Lock Ring 6 | 1 | M150 |
| KA 157 | 垫 | Washer | 1 | M154 |
| KA 158 | 弹簧挡销 | Pin for Sharpener Housing | 1 | |
| KA 159 | 弹 簧 | Spring | 1 | } M126 ^L _U |
| KA 160 | 销 轴 | Pin for bell Crank | 1 | |
| KA 161 | 止动杆 | Push Rood | 1 | M139 |
| KA 162 | 销1.5×10 | Pin 1.5×10 | 1 | M140 |
| KA 163 | 螺钉M3×12 | Scre M3×12 | 1 | M142 |
| KA 164 | 分离块 | Spreader Pin | 1 | M143 |
| KA 165 | 外罩底盘 | Bottom Plate | 1 | M129 |
| KA 166 | 螺轴套 | Screw Shaft Sleeve | 1 | |
| KA 167 | 螺 轴 | Screw Shaft | 1 | |

4. 前盖磨削部分 SHARPENER HOUSING MECHANISM 代号 (KA)



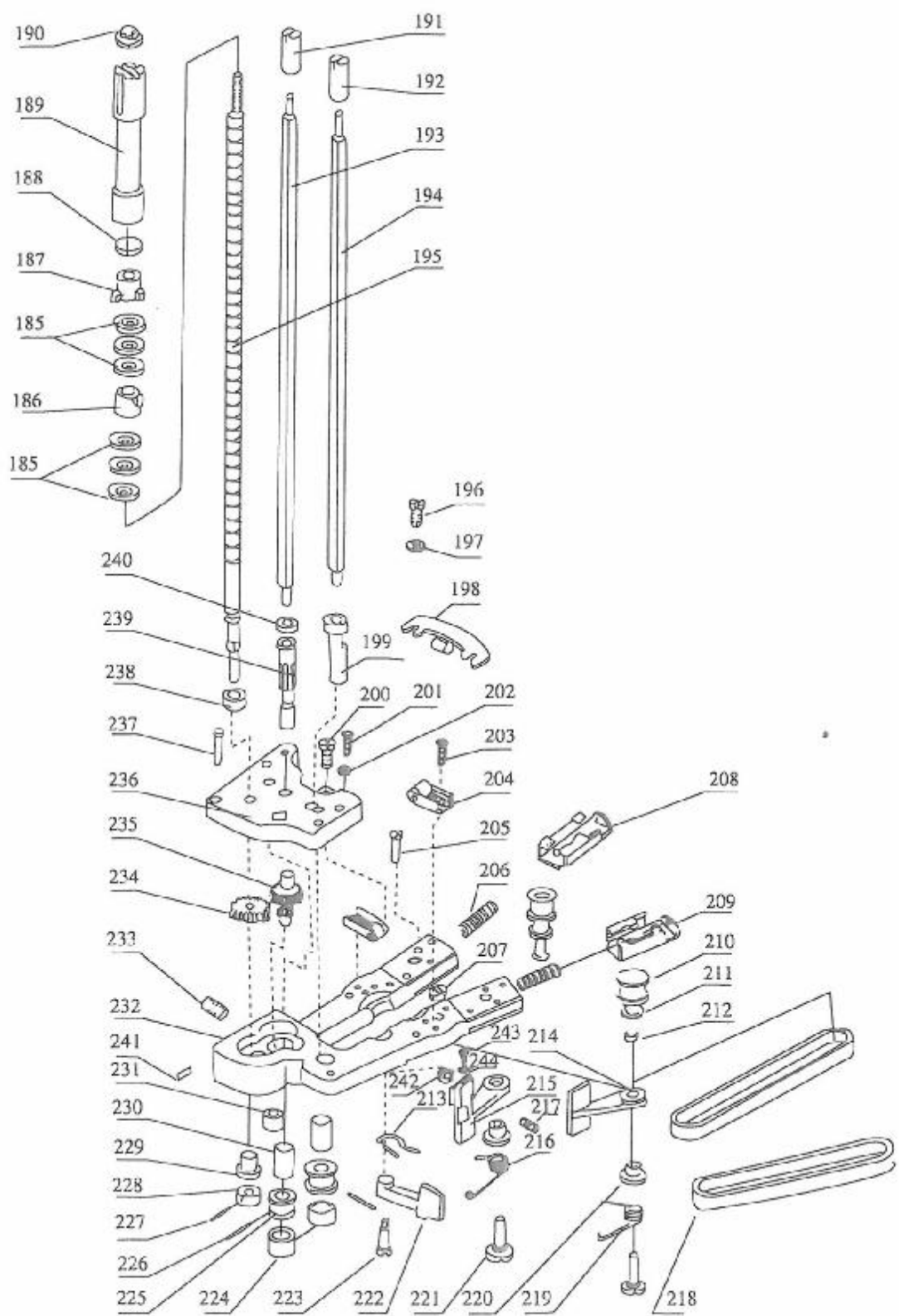
| 代 号 | 名 称 | Desonription | 数 量 | 备 注 |
|-----------|----------|-------------------------------|-----|---------|
| Code Name | | | qt | Note |
| KA 168 | 油盘组合 | Oil Pad and Holder | 1 | M130 |
| KA 169 | 螺钉M 4×6 | Screw M4×6 | 2 | M131 |
| KA 170 | 螺钉M 4×12 | Screw M4×12 | 3 | M128 |
| KA 171 | 方孔齿轮套 | Bearing for Gears | 2 | M145 |
| KA 172 | 方孔齿轮 | Squr Gear | 2 | M148 |
| KA 173 | 长轴齿轮 | Driver Shaft with Gear | 1 | M141 |
| KA 174 | 螺杆导套 | Screw Shaft Sleeve | 1 | |
| KA 175 | 螺 母 | Nut | 3 | |
| KA 176 | 压脚手柄弹簧 | Spring for Prssure Foot Lever | 1 | M116 |
| KA 177 | 压脚手柄螺钉 | Pressure Fott Lever Screw | 1 | M115 |
| KA 178 | 压脚手柄 | Prssure Foot Lever | 1 | M217 |
| KA 179 | 压肢杆 | Prssure Foot Rod | 1 | M216 |
| KA 180 | 压 脚 | Pressure Foot Shoc | 1 | M219 |
| KA 181 | 螺钉M4×10 | Screw M4×10 | 2 | M113 |
| KA 182 | 螺钉M4×20 | Screw M4×20 | 1 | M100L |
| KA 183 | 螺钉 M4×10 | Screw M4×10 | 1 | · M100S |
| KA 184 | 弹 簧 | Spring | 1 | |
| | | | | |
| | | | | |
| | | | | |
| | | | | |
| | | | | |
| | | | | |
| | | | | |
| | | | | |
| | | | | |
| | | | | |
| | | | | |
| | | | | |
| | | | | |
| | | | | |
| | | | | |
| | | | | |
| | | | | |

5. 砂带磨削部分 LOWER GEAR BRACKET MECHANISM 代号(KA)



| 代 号 | 名 称 | Desonription | 数 量 | 备 注 |
|-----------|---------|----------------------------------|-----|--------|
| Code Name | | | qt | Note |
| KA 185 | 推力轴承组合 | Thrust Ball Bearing | 2 | M229 |
| KA 186 | 右旋螺母 | Nut for Screw Shaft R.H | 1 | } M104 |
| KA 187 | 左旋螺母 | Nut for Screw Shaft L.H | 1 | |
| KA 188 | 左螺母垫 | Washre for Screw haft L.H | 1 | M105 |
| KA 189 | 调节套筒 | Space Tube | 1 | M107 |
| KA 190 | 调节螺母 | Stop Nut for Screw Shaft | 1 | M108 |
| KA 191 | 左方轴导向柱 | Left Hand Fillower Nut | 1 | M137 |
| KA 192 | 右方轴导向柱 | Right Hand Fillower Nut | 1 | M135 |
| KA 193 | 左方轴 | L.H Square Shaft | 1 | M138 |
| KA 194 | 右方轴 | R.H Square shaft | 1 | M136 |
| KA 195 | 往复螺轴 | Screw Shaft with Extension | 1 | M106 |
| KA 196 | 螺钉M4×8 | Screw M4×8 | 2 | } M175 |
| KA 197 | 垫 圈 | Washer | 2 | |
| KA 198 | 后导轮架组合 | Guide Back of Standard | 1 | M173 |
| KA 199 | 右方轴下轴 | Lower Shaft for R.H SquareShaft | 1 | |
| KA 200 | 螺钉M3×12 | Screw M3×12 | 1 | * |
| KA 201 | 螺栓M4×10 | Adjusting Screw M4×10 | 1 | M165S |
| KA 202 | 螺母M4 | Nut M4 | 1 | M165N |
| KA 203 | 螺钉M3×6 | Screw M3×6 | 4 | M161 |
| KA 204 | 平衡架组合 | Stabilizer | 2 | M172 |
| KA 205 | 螺钉M3×5 | Screw M3×5 | 2 | M163 |
| KA 206 | 涨紧轮弹簧 | Spring for Pulley Slider | 2 | M181 |
| KA 207 | 螺母M5 | Nut M5 | 2 | M184 |
| KA 208 | 左涨紧轮导架 | L.H.Slider | 1 | } M176 |
| KA 209 | 右涨紧轮导架 | R.H.Slider | 1 | |
| KA 210 | 涨紧轮 | Tension Pulley | 2 | } M177 |
| KA 211 | 涨紧轮轴套 | Shaft Sleeve with Tension Pulley | 2 | |
| KA 212 | 涨紧轮轴 | Shaft with Tension Pulley | 2 | |
| KA 213 | 限位调节弹簧 | Spring for Arm | 1 | M188 |
| KA 214 | 右夹板 | R.H.Shoe | 1 | M169 |

5. 砂带磨削部分 LOWER GEAR BRACKET MECHANISM 代号(KA)



| 代 号 | 名 称 | Desonription | 数 量 | 备 注 |
|-----------|------------|----------------------------------|-----|----------|
| Code Name | | | qt | Note |
| KA 215 | 左夹板 | L.H.Shoe | 1 | M170 |
| KA 216 | 左夹板弹簧 | L.H.Sharpener Shoe Sping | 1 | M187 |
| KA 217 | 螺钉M 4×6 | Screw M4×6 | 2 | M171 |
| KA 218 | 砂 带 | Abrasive Belts | 2 | M189 |
| KA 219 | 右夹板弹簧 | L.H.Sharpener Shoe Spring | 1 | M186 |
| KA 220 | 夹板座套 | Bushing for Shoe | 2 | M168 |
| KA 221 | 夹板螺轴 | Screw for Sharpener Shoe | 2 | M185 |
| KA 222 | 限位调节板 | Clamping Arm for Shoe | 1 | M183 |
| KA 223 | 限位调节板螺钉 | Screw for Clamping Arm | 1 | M182 |
| KA 224 | 橡胶圈 | Neoprene Band | 2 | M178 |
| KA 225 | 砂带前导轮 | Frount Pulley for Belts | 2 | M179 |
| KA 226 | 滚针1.5×11.8 | Roll Pin for Pulley 1.5×11.8 | 2 | M180 |
| KA 227 | 销 1.5×10 | Pin 1.5×10 | 1 | |
| KA 228 | 螺轴下挡圈 | Callar for Lower Screw Shaft | 1 | M102 |
| KA 229 | 衬 套 | Bearing for Screw shaft | 1 | |
| KA 230 | 导轮衬套 | Bearign for Shaft Extension | 2 | |
| KA 231 | 齿轮下座套 | Bearing for Intermediate Gear | 1 | |
| KA 232 | 砂带架 | Lower Gear Bracket | 1 | M162 |
| KA 233 | 油 堵 | Grease Plug | 1 | M160 |
| KA 234 | 往复轴齿轮 | Gear on Screw Shaft | 1 | M166 |
| KA 235 | 双链齿轮 | Intermediate Gear | 1 | M167 |
| KA 236 | 齿轮下座盖 | Gear Cover | 1 | M164 |
| KA 237 | 螺钉M 4×14 | ScrewM4×14 | 3 | M158/159 |
| KA 238 | 往复螺轴垫圈 | Washer for Screw Shaft | 1 | |
| KA 239 | 左方轴齿柱 | Gear shaft for L.H.Squaer Shaft | 1 | M138W |
| KA 240 | 左方轴垫圈 | Lower Shaft for R.H.Square Shaft | 1 | |
| KA 241 | 注油牌 | Grease Plate | 1 | |
| KA 242 | 螺母M 4 | Nut M4 | 1 | |
| KA 243 | 螺钉M 3×5 | Screw M3×5 | 1 | } M171 |
| KA 244 | 垫 圈 3 | Washer 3 | 1 | |